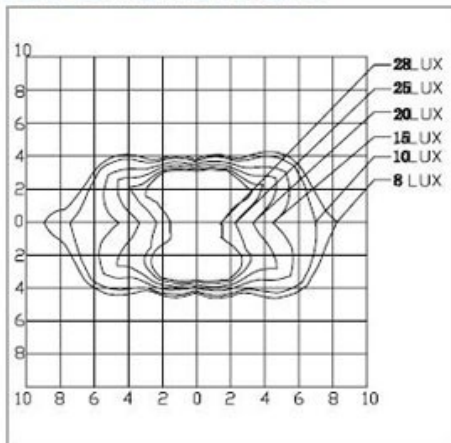


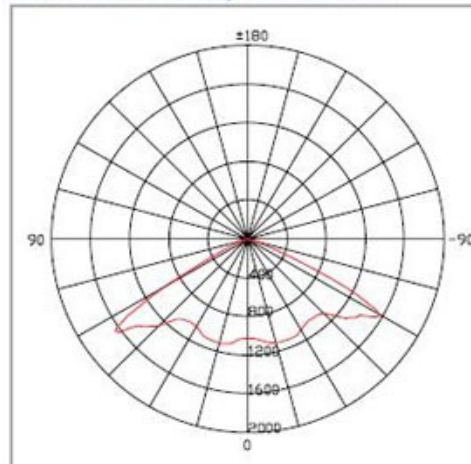
Ausleuchtverhalten PLATINUM 60, 90 und 120 Watt

Plane iso-illuminance curve:



Height: 6M
Max illuminance: 38.17 LUX

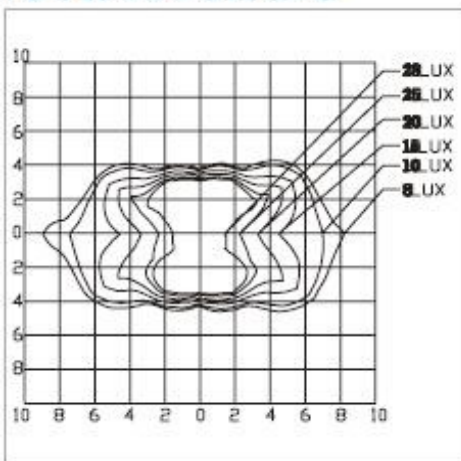
Luminous Intensity Distribution:



Max Luminous: 1639.49cd

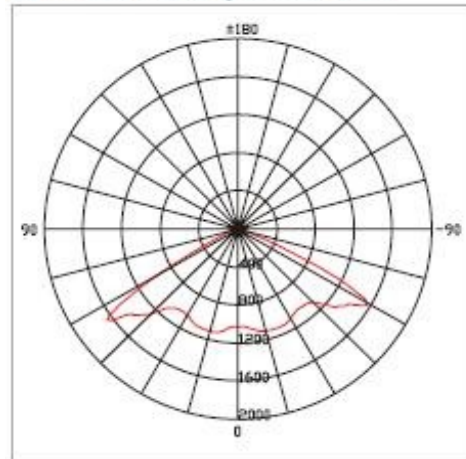
60 Watt

Plane iso-illuminance curve:

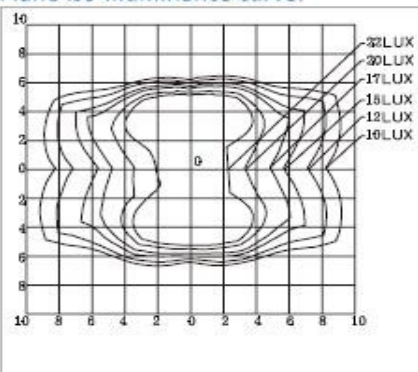


90 Watt

Luminous Intensity Distribution:

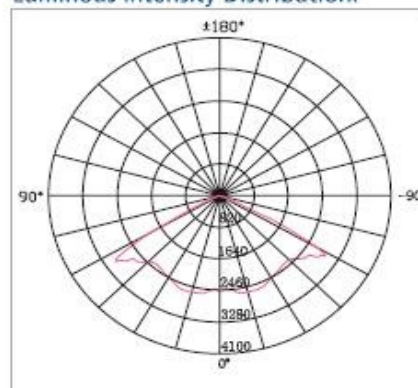


Plane iso-illuminance curve:



Height: 10M
Max illuminance: 29.92 LUX

Luminous Intensity Distribution:



Max Luminous: 2996.78 cd

120 Watt